



IW-20
in-wall docking system for iPod

By recognizing early-on the need for integrating audio and video content from the iPod® and iPod touch® into residential A/V systems, iPort created the industry standard for playback and control of iPod content. iPort is the only iPod and iPod touch solution that works seamlessly with a wide variety of single and multi-zone audio/video and home automation systems. iPort provides integrators the ultimate flexibility for including iPod and iPod touch as audio and video sources in their projects.

The iPort IW-20's RJ-45 modular connection delivers unbalanced audio up to 30 feet, for use with local-zone audio systems with their own volume control. The included audio wall plate provides stereo RCA audio connections and a connection point for the included regulated DC power supply. The IW-20 faceplate is designed to accept all Apple dock connector iPod models and includes a back support — a rubberized adjustment disc that compensates for the varying thicknesses of different iPod models.

iPort IW-20 Features

- Delivers local-zone unbalanced audio up to 30 feet (9 m) from the iPort. (Note: The audio system must supply volume control.)
- Regulated DC power supply charges the iPod/iPod touch while it is docked.
- Designed for easy docking/undocking of iPod
- Connects to wall plates with Cat5 cable via an RJ-45 connector
- Easy to install via Roto-Lock® mounting clamps
- Paintable flange

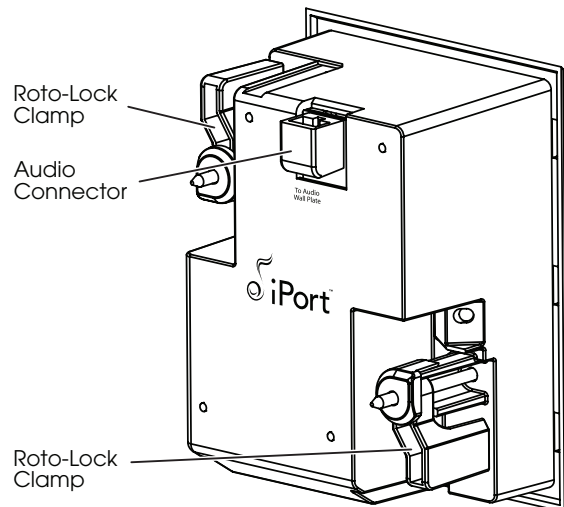
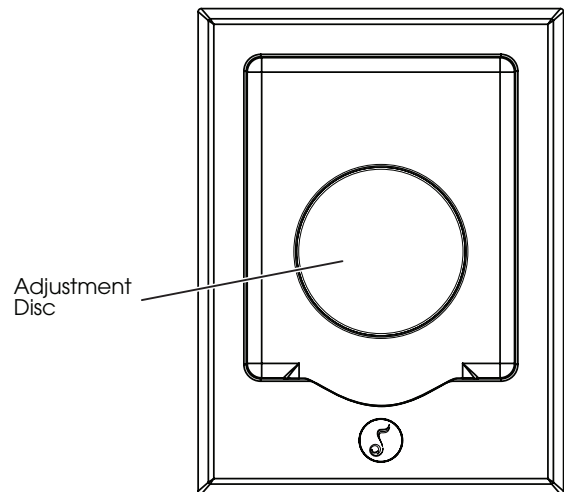
IW-20 Includes

- (1) iPort dock (faceplate and utility box)
- (1) Audio wall plate
- (1) Regulated power supply with USA plug

Compatibility

- 4th generation iPod and higher
- iPod touch 2nd generation
- iPod classic 120GB
- iPod nano
- iPod touch
- iPod features change often, for updated iPort compatibility please visit our website: iportmusic.com

Dimensions (W x H x D): 4 3/4" x 6 5/16" x 3 1/2" (121mm x 160mm x 89mm)
 Cut-Out Dimensions (W x H): 4" x 5 9/16" (102 mm x 141 mm)



iPort

212 Avenida Fabricante
 San Clemente, CA USA
 1.888.45.iPort
iportmusic.com





IW-21

in-wall docking system for iPod
with volume and IR control

By recognizing early-on the need for integrating audio and video content from the iPod® and iPod touch® into residential A/V systems, iPort created the industry standard for playback and control of iPod content. iPort is the only iPod and iPod touch solution that works seamlessly with a wide variety of single and multi-zone audio/video and home automation systems. iPort provides integrators the ultimate flexibility for including iPod and iPod touch as audio and video sources in their projects.

The iPort IW-21's RJ-45 modular connections delivers unbalanced audio and video up to 30 feet, for use with local-zone audio/video systems. IR capability via the illuminated LED on the faceplate allows control of the volume and essential iPod menu and playback functions by an optional iPort EX-1 remote. The included wall plates provide stereo RCA audio and a composite video connection for output of iPod video content. The IW-21's front panel features a lighted status indicator and is designed to accept all Apple dock connector iPod models. It includes a back support, — a rubberized adjustment disc that compensates for the varying thicknesses of different iPod models.

iPort IW-21 Features

- Delivers local-zone unbalanced audio up to 30 feet (9 m) from the iPort.
- Built-in preamplifier allows variable volume control via the iPod's volume control or an optional iPort remote.
- Delivers unbalanced video up to 30 feet from iPort.
- IR allows remote control of most iPod/iPod touch audio functions via an optional iPort remote.
- Regulated DC power supply charges the iPod/iPod touch while it is docked.
- Designed for easy docking/undocking of iPod
- Connects to wall plates with Cat5 cables via RJ-45 connectors
- Easy to install via Roto-Lock® mounting clamps
- Paintable flange

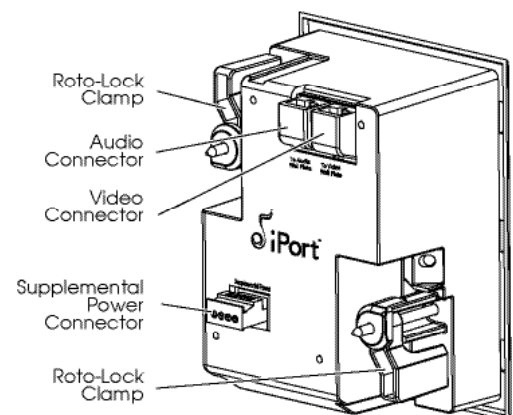
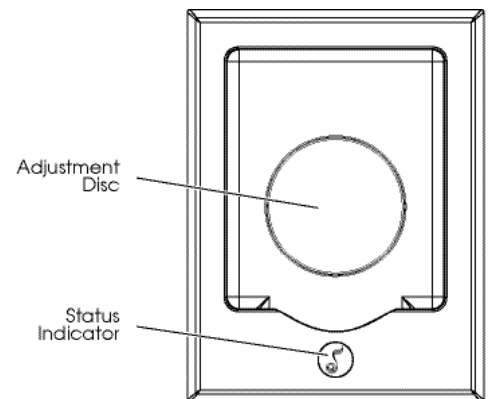
IW-21 Includes

- (1) iPort dock (faceplate and utility box)
- (1) Audio wall plate
- (1) Unbalanced video wall plate and cable
- (1) Regulated power supply with USA plug

Available IW-21 Upgrades

- Optional Balanced Audio Upgrade Kit delivers video up to 500 feet (152 m) from the iPort.
- Optional Balanced Video Upgrade Kit delivers video up to 250 feet (76 m) from the iPort.
- Optional RS-232 Control Upgrade Kit enables two-way communication and control of the iPod/iPod touch via compatible control systems (requires Balanced Audio Upgrade Kit).

Dimensions (W x H x D): 4 3/4" x 6 5/16" x 3 1/2" (121mm x 160mm x 89mm)
 Cut-Out Dimensions (W x H): 4" x 5 9/16" (102 mm x 141 mm)



Compatibility

Compatible with most dockable iPod touch and iPod models, including iPod nano 5th gen, iPod classic 120GB and iPod touch 2nd gen. For current compatibility information, visit iportmusic.com.

iPort

212 Avenida Fabricante
 San Clemente, CA USA
 1.888.45.iPort
iportmusic.com





IW-22

in-wall docking system for iPod
with RS-232 and IR control

By recognizing early-on the need for integrating audio and video content from the iPod® and iPod touch® into residential A/V systems, iPort® created the industry standard for controlling and playing iPod content. iPort is the only iPod and iPod touch solution that works flawlessly and seamlessly with a large variety of leading local-zone audio systems, home automation systems, and A/V control systems, providing integrators the ultimate flexibility for including iPods and iPod touch as A/V sources in their projects.

The iPort IW-22's RJ-45 modular connections deliver balanced audio up to 500 feet (152 m) and unbalanced video up to 30 feet (9 m). iPort's integrated RS-232 allows compatible control systems to control the iPod/iPod touch with two-way communication (including iPod metadata). An IR control connection allows control of most iPod/iPod touch audio functions by compatible IR control systems, and the illuminated LED on the faceplate allows IR control of essential iPod menu and playback functions by an optional iPort EX-1 remote. The included wall plates provide stereo RCA audio and S-video, component, and composite video connections, RS-232 and IR control connections, and connections for the included regulated DC power supply. The IW-22 accepts all Apple dock connector iPod models, and includes a back support, — a rubberized adjustment disc that compensates for the varying thicknesses of different iPod models.

iPort IW-22 Features

- Delivers balanced audio up to 500 feet (152 m) from the iPort.
- Built-in preamplifier allows variable volume control via IR and RS-232.
- Delivers unbalanced video up to 30 feet (9 m) from iPort.
- IR connection allows remote control of most iPod/iPod touch audio functions.
- Integrated RS-232 control enables two-way communication (including iPod program metadata) and control of the iPod/iPod touch via compatible control systems.
- Regulated DC power supply charges the iPod/iPod touch while it is docked.
- Designed for easy docking/undocking of iPod
- Connects to wall plates with Cat5 cables via RJ-45 connectors
- Easy to install via Roto-Lock® mounting clamps
- Paintable flange

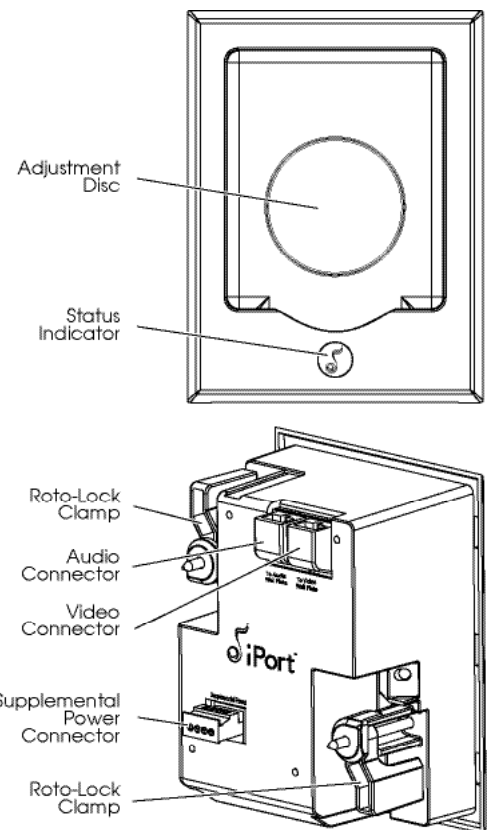
IW-22 Includes

- (1) iPort dock (faceplate and utility box)
- (1) Balanced audio wall plate
- (1) Balanced audio sender plug-in circuit card
- (1) RS-232 control plug-in circuit card and RS-232 cable
- (1) Unbalanced video wall plate and cable
- (1) Regulated power supply with USA plug

Available IW-22 Upgrades

- Optional Balanced Video Upgrade Kit delivers video up to 250 feet (76 m) from the iPort.

Dimensions (W x H x D): 4 3/4" x 6 5/16" x 3 1/2" (121mm x 160mm x 89mm)
 Cut-Out Dimensions (W x H): 4" x 5 9/16" (102 mm x 141 mm)



Compatibility

Compatible with most dockable iPod touch and iPod models, including iPod nano 5th gen, iPod classic 120GB and iPod touch 2nd gen. For current compatibility information, visit iportmusic.com.

iPort

212 Avenida Fabricante
 San Clemente, CA USA
 1.888.45.iPort
iportmusic.com

